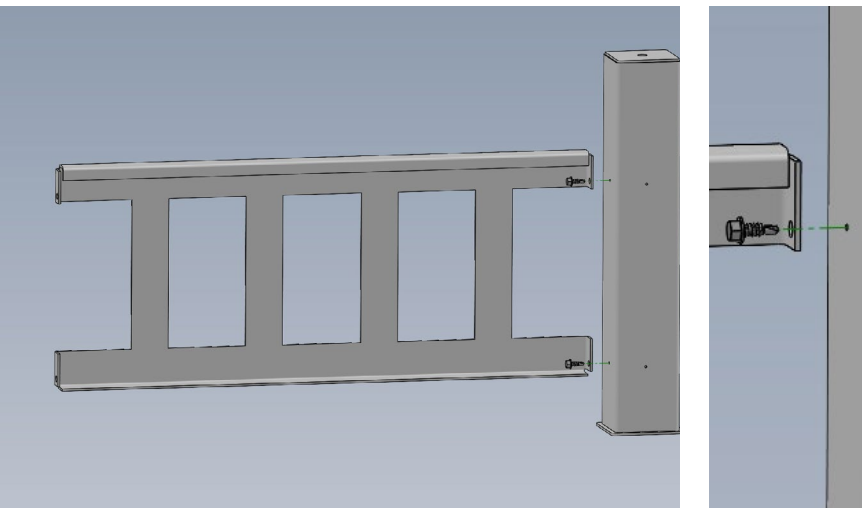


# 2000 FOYER



## ASSEMBLY INSTRUCTIONS

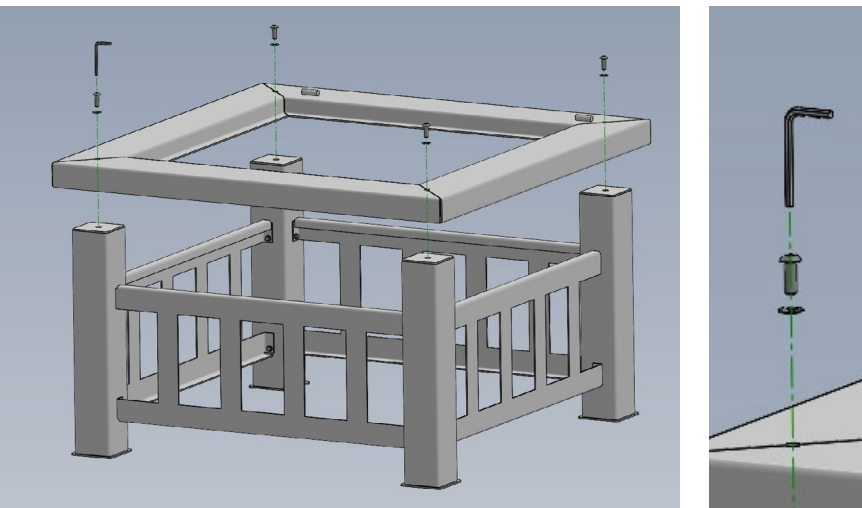




---

1

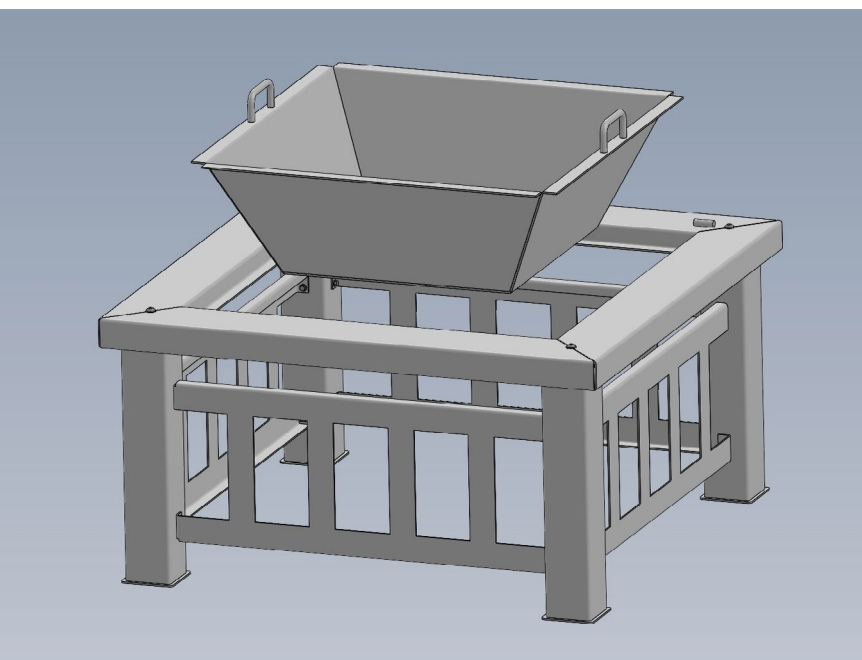
USING TWO SCREWS, ATTACH THE FOUR SIDES TO THE FOUR LEGS. TO MAKE IT EASIER FOR YOU, YOU CAN PRE-DRILL WITH THE SELF-DRILLING SCREWS BEFORE ASSEMBLY.



---

2

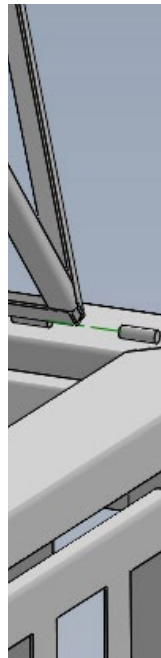
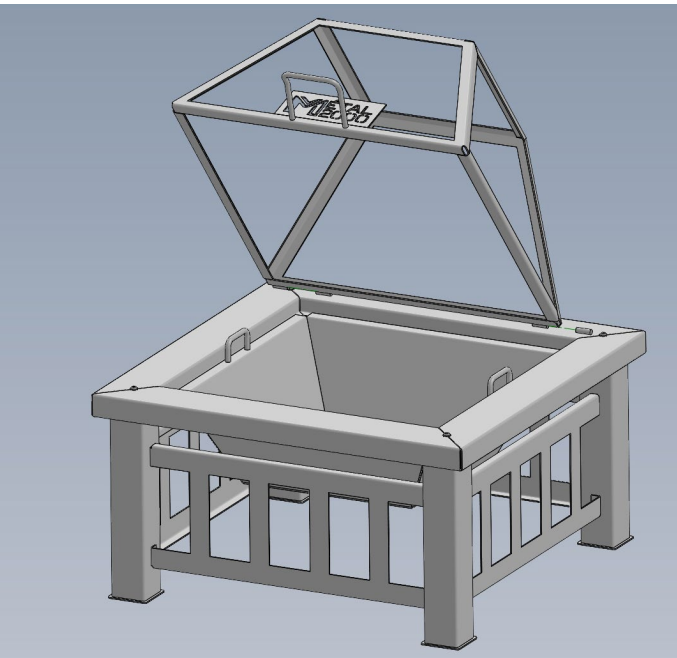
PLACE THE SQUARE BASE ON THE FOUR LEGS AND SECURE IT WITH A WASHER AND BOLT. USING A 7/32 ALLEN KEY TIGHTEN THE STRUCTURE SECURELY.



---

3

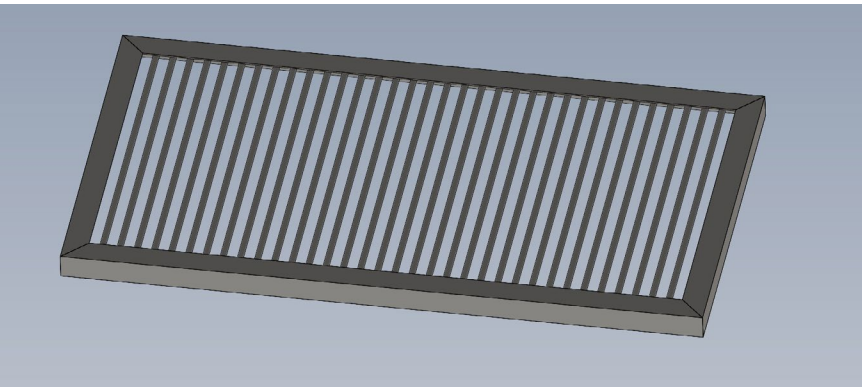
PLACE THE BIN IN THE CENTER OF THE STRUCTURE.



---

ATTACH THE SPARK SCREEN TO THE STRUCTURE.

4



---

IF YOU HAVE A COOKING GRILL (OPTIONAL), PLACE THE GRILL ON THE TOP OF THE BIN.

5

